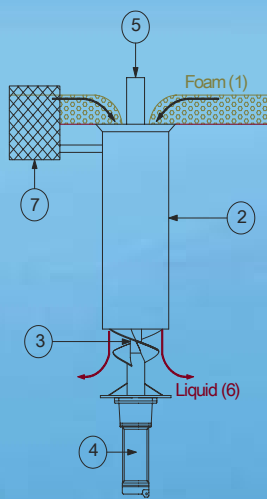




AQUA TURBO® FOAM BREAKER

Floating high flow system for foam aspiration and breaking

DESCRIPTION



The Foam Breaker FB is designed to aspirate and break the foam that is formed on the surface of biological basins, and allows to improve its bio deterioration.

The foam (1) is sucked into the volute (2). By the action of the SCREWPELLER® (3), which is driven by a submersible motor (4), the air is released from the foam and evacuated through the internal tube (5) while the liquid (6) is rejected in the basin on the lower side of the volute.

A series of floats (7) allows the FB to follow the fluid level variations in the basin.

WORKING PRINCIPLE AND CHARACTERISTICS



The Foam Breaker FB :

- is suited for the breaking of very high quantities of foam, even very consistent foam, type "chocolate mousse",
- continues to function, even if the foam layer is very thick, up until 1 m and more,
- produces no aerosols,
- can be executed in fix mounted version, not equipped with floats, for basins with fixed water level.

Its motor IP 68 is perfectly protected against hostile environments.

Available unit power from 1,5 to 15 kW, which has been able to cover all possible cases up until now.



APPLICATIONS

The Foam Breaker FB has already been used :

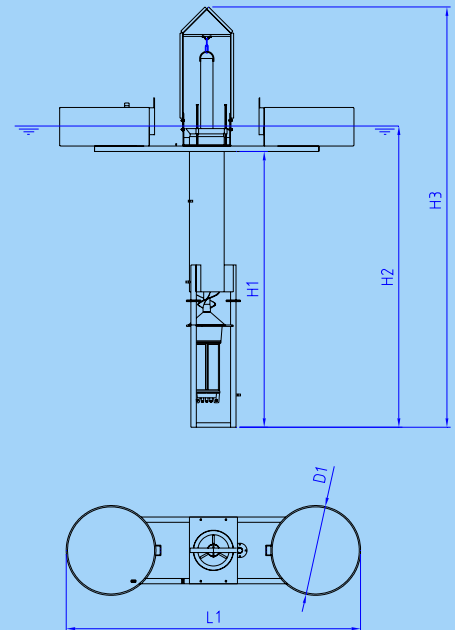
- in fat treating biological reactors with very high charges and thermophilic reactors
- in more classical biological basins (see photo above) where the aeration produces foam in such quantities that inopportune overflow is created,
- and for the biological treatment of pig manure.

Other potential applications are being tested.



BASIC DATA

Model	D1 (mm)	L1 (mm)	H1 (mm)	H2 (mm)	H3 (mm)	Weight (kg)
0150-24	800	2580	1673	1991	3227	268
0220-24	800	2580	1715	2032	3237	268
0300-24	800	2580	1878	2208	3412	278
0400-24	800	2580	1878	2212	3412	283
0550-24	1000	3280	2060	2364	3608	377
0750-24	1000	3280	2330	2647	3823	395
1100-24	1000	3280	2657	2986	4218	414
1500-24	1000	3280	3019	3402	4589	497
0150-16	800	2580	1673	2002	3227	278
0220-16	800	2580	1673	2019	3227	295
0300-16	800	2580	1738	2094	3292	317
0400-16	800	2580	2196	2196	3756	341
0550-16	1000	3280	2385	2755	3997	478
0750-16	1000	3280	2515	2887	4096	480
1100-16	1000	3280	2715	3055	4317	503
1500-16	1000	3280	3074	3474	4685	521
0150-12	800	2580	2196	2565	3756	317
0220-12	800	2580	2196	2565	3756	318
0300-12	800	2580	2226	2595	3786	350
0400-12	1000	3280	3285	2748	3997	466
0550-12	1000	3280	2485	2855	4067	477
0750-12	1000	3280	2715	3104	4317	505
1100-12	1000	3280	3074	3502	4685	563



All values are indicative. Aquasystems International NV reserves the right to adjust these values at any time.

Headquarters

AQUASYSTEMS INTERNATIONAL n.v.

Brusselsesteenweg 508 • B-1500 Halle - Belgium

Tel.: +32/02 362 02 62 • Fax : +32/02 360 35 89

E-mail : asi@aquaturbo.com • http://www.aquaturbo.com

Subsidiary

AQUATURBO SYTEMS inc.

1754 Ford Avenue • AR72764 Springdale Arkansas

Tel. 001 479 927 1300 • Fax 0001 479 927 0700

E-mail : ats@aquaturbo.com • http://www.aquaturbo.com

Your local authorized distributor:

ETA Ekipman Teknoloji Ar. Sis. San. Tic. Ltd. Şti.

Çamlık Mah. Diñç Sok. No:4 D:83 PK.34774

Tel. 0216 540 99 64 • Fax. 0216 540 99 68

E-mail :info@etaekipman.com • http://www.etaekipman.com