

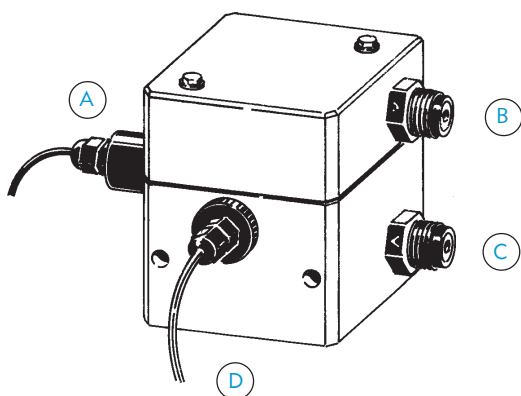
FEATURES

EMEC turbidity probes are the ideal complements to Emec controllers for an accurate and reliable control of your processes.

Turbidity easy-maintenance probes provides accurate reading value and fast response, performances required for the most accurate measurements.

The section below shows the electrode's differences so that you can select the electrode that best fit in your application.

TURBIDITY SENSOR



- A Emitter Photodiode
- B Sampled liquid output
- C Sampled liquid input
- D Receiver Photodiode

MORE INFO

Turbidity is defined as an “**expression of optical property that causes light to be scattered and absorbed rather than transmitted in straight lines through the sample**”. Simply stated, turbidity is the measure of relative sample clarity. High turbidity makes it difficult to treat water for microbial contaminants, and therefore is regulated in drinking water supplies by the EPA.

The turbidimeter measures the light transmittance of a sample in NTU's (Nephelometric Turbidity Units, a standard measure). Because the units of turbidity are quite arbitrary, it's absolutely essential that turbidimeters be calibrated against standards with known scattering properties. Basically, these are solutions of very special substances that scatter light in a predictable and repeatable fashion.

ETORB/40

0 ÷ 40 NTU

Resolution	0.1 NTU
Repeatability	± 1% at 25°C
Linearity	better than 1%
Zero offset	± 3mV (5 to 50°C)
Calibration	Factory calibrated
Operating temp.	5°C to 50°C
Storage temp.	-20°C to 50°C
Wipe time	-
Depth rating	-

TURBIDITY SENSOR



	ETORB/100	ETORB/400	ETORB/1000
	0 ÷ 100 NTU	0 ÷ 400 NTU	0 ÷ 1000 NTU
Resolution	0.2 NTU	1 NTU	3 NTU
Repeatability	± 1% at 25°C	± 1% at 25°C	± 2% at 25°C
Linearity	better than 1%	better than 1%	better than 5%
Zero offset	± 3mV (0 to 40°C)	± 3mV (0 to 40°C)	± 3mV (0 to 40°C)
Calibration	Factory calibrated	Factory calibrated	Factory calibrated
Operating temp.	5°C to 50°C	5°C to 50°C	5°C to 50°C
Storage temp.	-20°C to 50°C	-20°C to 50°C	-20°C to 50°C
Wipe time	8 seconds nominal	8 seconds nominal	8 seconds nominal
Depth rating	100m (330ft) SS housing only	100m (330ft) SS housing only	100m (330ft) SS housing only