

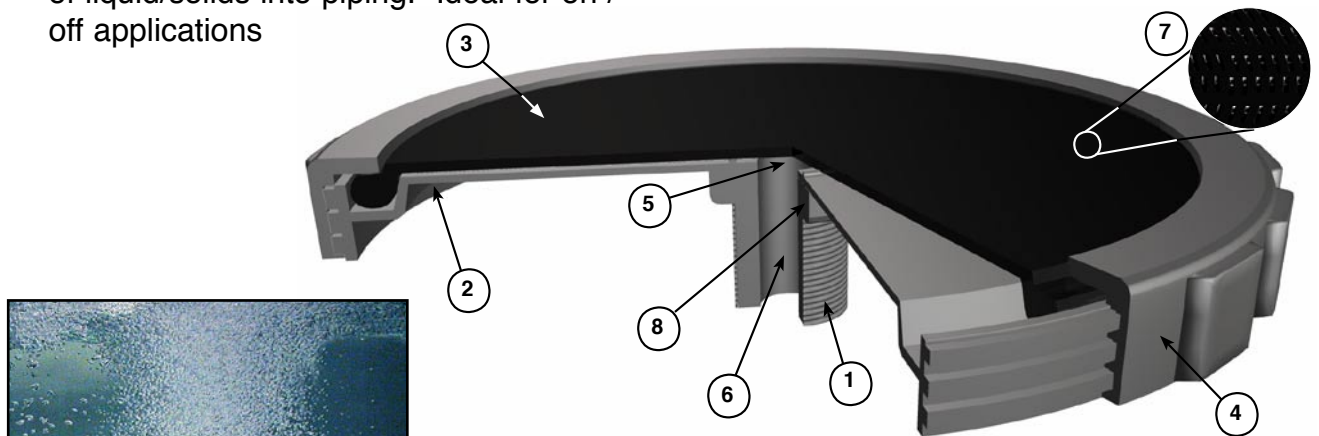
## PRODUCT SPECIFICATION SHEET

# EDI FlexAir<sup>®</sup> Disc

## Fine Pore Flexible Membrane Technology

FlexAir Disc diffuser incorporates EDI advanced membrane technologies for superior aeration performance, flexibility, and reliability

- Precision die cut openings for high oxygen transfer, uniform air release, and low operating pressure
- High capacity membrane option available for maximum airflow and low operating pressure
- Advanced technology premium quality membrane materials available in EPDM or special polymer blends
- Full 9-inch (230 mm) of active surface area
- Triple check valve design prevents entry of liquid/solids into piping. Ideal for on / off applications
- Resistant to fouling and plugging for low maintenance
- Economical capital cost and ease of installation
- Rugged heavy duty construction
- Glass fiber reinforced polypropylene construction for maximum chemical, temperature, and UV resistance
- Mounts on any pipe material (PVC, ABS, CPVC, SS, etc.) or size
- Standard units IN STOCK for immediate shipment



Shown with optional  
Universal Diffuser Mount™ (UDM)

1. Threaded Connector 3/4 inch NPT (Male) Inlet
2. Diffuser Body
3. Flexible Membrane Media
4. Membrane Retainer Ring
5. Primary Check Valve Feature
6. Air Inlet Orifice
7. Die Cut Perforations
8. Hex Headed Shank



[www.wastewater.com](http://www.wastewater.com)  
Environmental Dynamics Incorporated

30  
YEARS  
1975-2005

# PRODUCT SPECIFICATION SHEET

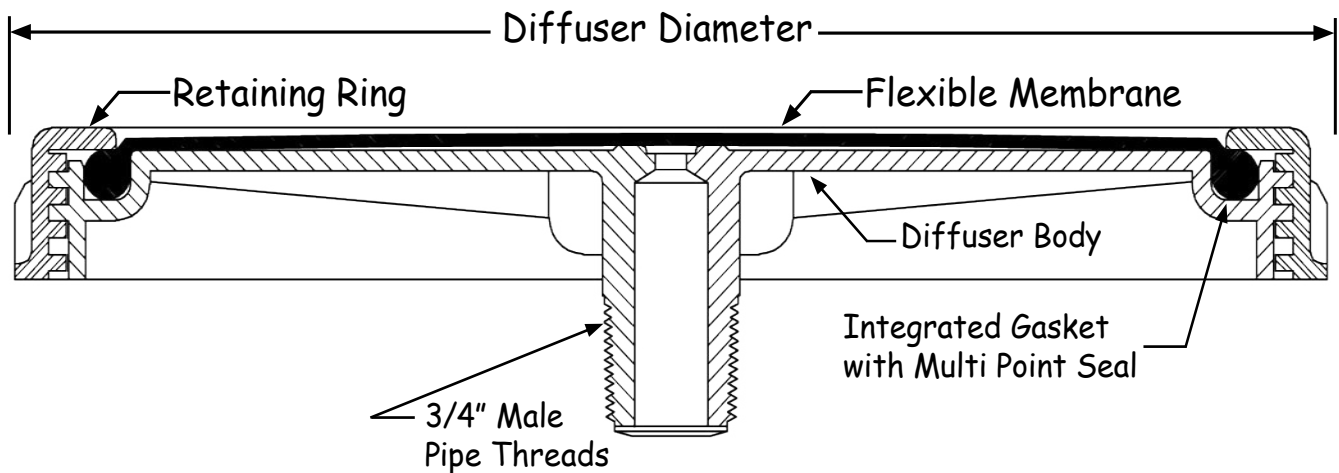
EDI FlexAir® Disc diffusers are fine pore, flexible membrane diffusers that provide operational flexibility with maximum oxygen transfer efficiency.

FlexAir Disc units are configured with premium quality membranes that are engineered by the Membrane Technologies division at EDI. Alternative membrane materials and perforation patterns are available for non-standard industrial or municipal applications.

EDI disc diffusers components are constructed of glass filled polypropylene and suitable for deep tank (high temperature) applications. Alternate membrane solutions and perforation patterns are available to optimize system performance.

The FlexAir Disc diffuser units may be operated over a wide range of airflows with minimum maintenance for long-term performance. The external triple check valve assembly minimizes intrusion of liquid or solids into the diffuser or air piping under normal on/off operating conditions.

Standard 9-inch diameter (267 mm) units employ a 3/4 inch diameter NPT (male) threaded inlet for ease of installation / maintenance and universal application.



Model	Peak Airflow		Design Airflow		Design DWP		Diffuser Diameter		Active Surface Area		Dry Weight	
	scfm	sm <sup>3</sup> /hr	scfm	sm <sup>3</sup> /hr	in H <sub>2</sub> O	kPa	in	mm	ft <sup>2</sup>	cm <sup>2</sup>	lbs	kg
9" Disc Diffuser Std.	7.0	11.9	0.5-5.0	0.8-8.5	8.0-12.0	2.0-3.0	10.9	277	0.4	380.9	1.5	0.7
9" Disc Diffuser High Cap.	11.0	18.7	1.0-8.0	1.7-13.6	4.5-11.0	1.1-2.7	10.9	277	0.4	380.9	1.5	0.7