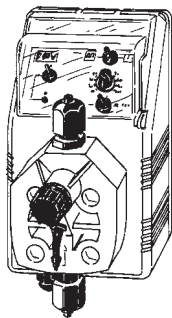


# "F" series Metering Pumps

# Data Sheet

## Configuration Info



Power supply: 230 VAC (180-270 VAC)  
 Power supply: 115 VAC (90-135 VAC)  
 Power supply: 24 VAC (20-32 VAC)  
 Power supply: 12 VDC (10-16 VDC)

MODELS		
	self venting models	
CO	AO	"CO" Constant pump with stroke speed (frequency) adjustment
CL	AL	"CL" Constant pump with level control, stroke speed (frequency) adjustment
IC	AC	"IC" Constant-proportional pump driven by current signal (0 / 4mA = 0 pulses; 20mA = max pulses) and level control
IS	AS	"IS" Constant-proportional pump driven by external digital signal, with level control: to each external pulse correspond one pump stroke
PV	AV	"PV" Constant-proportional pump driven by external digital signal, with pulse divider mode (ratio 1 to 1000) and level control
MV	AM	"PVM" Constant-proportional pump driven by external digital signal, level control, with pulse divider mode (ratio 1 to 1000) and multiplier mode (ratio 1 to 10)
TE	AE	"TE" (0"÷60") timered pump with external digital start signal and level control
DR	AR	"PDR" Metering pump with adjustable operation and stand-by timers, stroke speed adjustment

CAPACITIES				
121.5	1.5 l/h against 12 bar	0.40 GPH against 174 PSI	Tubing: 4x6	Valve: 3/8"
102.2	2.2 l/h against 10 bar	0.58 GPH against 145 PSI	Tubing: 4x6	Valve: 3/8"
0703	3 l/h against 7 bar	0.79 GPH against 102 PSI	Tubing: 4x6	Valve: 3/8"
0705	5 l/h against 7 bar	1.32 GPH against 102 PSI	Tubing: 4x6	Valve: 3/8"
0505	5 l/h against 5 bar	1.32 GPH against 73 PSI	Tubing: 4x6	Valve: 3/8"
0606	6 l/h against 6 bar	1.59 GPH against 87 PSI	Tubing: 4x6	Valve: 3/8"
0507	7 l/h against 5 bar	1.85 GPH against 73 PSI	Tubing: 4x6	Valve: 3/8"
036.5	6.5 l/h against 3 bar	1.72 GPH against 44 PSI	Tubing: 4x6	Valve: 3/8"
038.5	8.5 l/h against 3 bar	2.25 GPH against 44 PSI	Tubing: 4x6	Valve: 3/8"
1005	5 l/h against 10 bar	1.32 GPH against 145 PSI	Tubing: 4x6	Valve: 3/8"
0510	10 l/h against 5 bar	2.64 GPH against 73 PSI	Tubing: 4x6	Valve: 3/8"
0311	11 l/h against 3 bar	2.91 GPH against 44 PSI	Tubing: 4x6	Valve: 3/8"
050.2	0.2 l/h against 5 bar	0.05 GPH against 73 PSI	Tubing: 4x6	Valve: 3/8"

CAPACITIES self-venting metering pumps				
103.2	3.2 l/h against 10 bar	0.85 GPH against 145 PSI	Tubing: 4x6	Valve: 3/8"
100.6	0.6 l/h against 10 bar	0.16 GPH against 145 PSI	Tubing: 4x6	Valve: 3/8"
071.5	1.5 l/h against 7 bar	0.40 GPH against 102 PSI	Tubing: 4x6	Valve: 3/8"
053.2	3.2 l/h against 5 bar	0.85 GPH against 73 PSI	Tubing: 4x6	Valve: 3/8"
036.5	6.5 l/h against 3 bar	1.71 GPH against 44 PSI	Tubing: 4x6	Valve: 3/8"
034.7	4.7 l/h against 3 bar	1.24 GPH against 44 PSI	Tubing: 4x6	Valve: 3/8"

POWER SUPPLY	
00	230 VAC Schuko plug
0S	230 VAC Australian plug
01	230 VAC without plug
03	115 VAC US plug
04	24 VAC without plug
05	12 VDC *
07	24 VDC

\* Confirm capacity availability at 12 VDC with EMEC staff.

Model F **CO** **121.5** **V** **00** **00**

LIQUID ENDS								
	Head	Orings	Valve		Diaphragm	Tubing		Viscosity Max CPS
			Body	Balls		Delivery	Suction	
V	Polypropylene	Viton®	Polypropylene	Ceramic	PTFE	Polyethylene	PVC	100
D	Polypropylene	Ethylene Propylene	Polypropylene	Ceramic	PTFE	Polyethylene	PVC	100
W	Polypropylene	Nytrile	Polypropylene	Ceramic	PTFE	Polyethylene	PVC	100
T	Polypropylene	Viton®+PTFE	Polypropylene	Ceramic	PTFE	Polyethylene	PVC	100
S	Polypropylene	Silicone	Polypropylene	Ceramic	PTFE	PVDF	PVDF	100
A	Acrylic	Viton®	Polypropylene	Ceramic	PTFE	Polyethylene	PVC	100
K	PVDF	Viton®	PVDF	Ceramic	PTFE	PVDF	PVDF	100
P	PVDF	EPDM	PVDF	Ceramic	PTFE	PVDF	PVDF	100

Viton® is a registered trademark of DuPont Dow Elastomers.



ISO 9001 certified

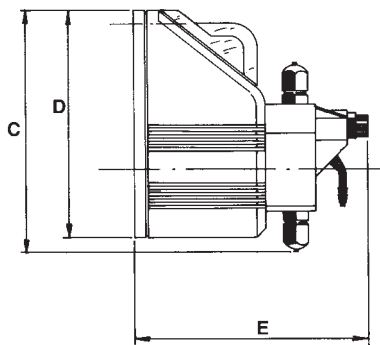
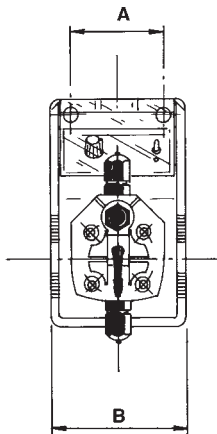
Via Donatori di sangue, 1 - 02010 Vazia (RI) - Italy  
 Tel. +39 0746 2284 1 - Fax +39 0746 2284 2 - <http://www.emec.it>

Specifications subject to change without notice.  
 ENG R1-06-06

# "F" series Metering Pumps

# Data Sheet

SPECIFICATIONS						
	Strokes per Minute		Average Input Power at max speed	Shipping weight		
	Min	Max				
121.5	15	150	16 Watt	2.2 Kg (4.85 Lbs)		
102.2	15	150				
0703	15	150				
0705	15	150				
0505	15	150				
0606	15	150				
0507	15	150				
036.5	15	150				
038.5	15	150				
1005	15	150				
0510	15	150				
0311	15	150				
050.2	15	150				
<i>Self-venting models</i>						
103.2	15	150				
100.6	15	150				
071.5	15	150				
053.2	15	150				
036.5	15	150				
034.7	15	150				



DIMENSIONS		
	mm	inch
A	63	2.48
B	91.5	3.60
C	168	6.61
D	153.5	6.04
E	160	6.29

### IP65 enclosure (NEMA4x)

The series "F" dosing pumps are manufactured in moulded glass filled Polypropylene housing to ensure protection against aggressive chemicals and tough environment.

OUTPUT INFORMATION								
	Liters per Hour		Gallons per Hour		mL/cc per Stroke		Maximum Injection Pressure	
	Min	Max	Min	Max	Min	Max		
121.5	0.045	1.5	0.012	0.40	0.051	0.17	12 bar	174 PSI
102.2	0.066	2.2	0.017	0.58	0.075	0.25	10 bar	145 PSI
0703	0.09	3	0.024	0.79	0.102	0.34	7 bar	102 PSI
0705	0.15	5	0.039	1.32	0.168	0.56	7 bar	102 PSI
0505	0.15	5	0.039	1.32	0.168	0.56	5 bar	73 PSI
0606	0.18	6	0.047	1.59	0.201	0.67	6 bar	87 PSI
0507	0.21	7	0.055	1.85	0.234	0.78	5 bar	73 PSI
036.5	0.195	6.5	0.051	1.72	0.216	0.72	3 bar	44 PSI
038.5	0.255	8.5	0.067	2.25	0.285	0.95	3 bar	44 PSI
1005	0.15	5	0.039	1.32	0.168	0.56	10 bar	145 PSI
0510	0.3	10	0.079	2.64	0.300	1.0	5 bar	73 PSI
0311	0.33	11	0.087	2.91	0.330	1.1	3 bar	44 PSI
050.2	0.006	0.2	0.002	0.05	0.069	0.23	5 bar	73 PSI
<b>OUTPUT INFORMATION self-venting metering pumps</b>								
103.2	0.096	3.2	0.025	0.85	0.108	0.36	10 bar	145
100.6	0.018	0.6	0.005	0.16	0.021	0.07	10 bar	145 PSI
071.5	0.045	1.5	0.012	0.40	0.108	0.36	7 bar	102 PSI
053.2	0.096	3.2	0.025	0.85	0.051	0.17	5 bar	73 PSI
036.5	0.195	6.5	0.051	1.71	0.216	0.72	3 bar	44 PSI
034.7	0.141	4.7	0.037	1.24	0.156	0.52	3 bar	44 PSI