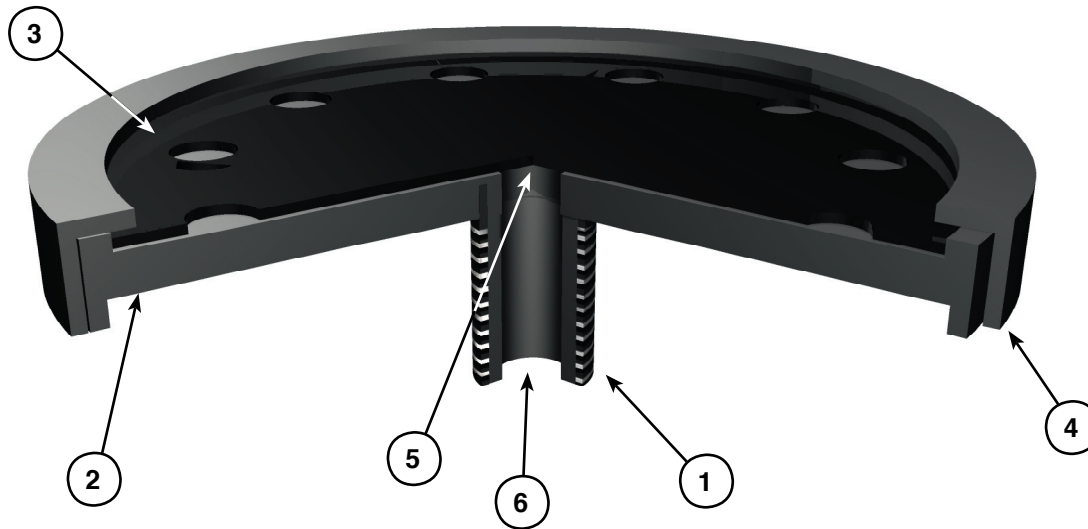
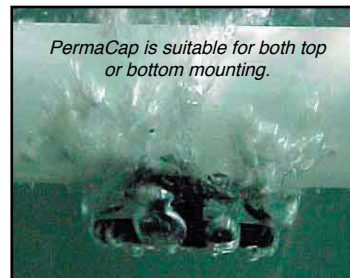


# EDI PermaCap 5™

## Coarse Bubble Diffuser Unit



1. Threaded Connector 3/4 inch or 3/8 inch NPT (male) Inlet
2. ABS Diffuser Body - 5 inch Diameter
3. Premium Quality Membrane EPDM or Specialty Polymers
4. ABS Retainer Ring - 5 inch Diameter
5. Check Valve
6. Inlet Orifice



### FEATURES & BENEFITS

EDI's PermaCap 5 diffuser offers greater unit capacity over other small diameter diaphragm coarse bubble diffusers at less cost.

Replacing small diameter diaphragm coarse bubble units with the EDI PermaCap 5 coarse bubble diffusers will provide increased air capacity and greater oxygen transfer.

- Low capital & maintenance cost
- Larger 5 inch diameter for maximum air distribution
- Engineered air outlet orifices
- Non-clog design
- Maximum orifice spacing to minimize bubble coalescence
- Durable ABS body & retainer ring
- Choose 3/8 inch or 3/4 inch NPT (male) inlet connection
- UV Protection
- Advanced Technology EPDM Membrane
- Integral check valve to prevent entry of solids into piping
- Promotes fluid interaction with maximum bubble formation and dispersion
- Mount on top or bottom of air piping
- High capacity airflow ranges up to 20 SCFM with lower pressure loss
- Designed to prevent membrane blow off
- Units **IN STOCK** for immediate shipment



**Environmental Dynamics Inc.**

5601 Paris Road  
Columbia, MO 65202 USA

PH. 573-474-9456

FAX 573-474-6988

sales@DiffuserExpress.com

www.DiffuserExpress.com

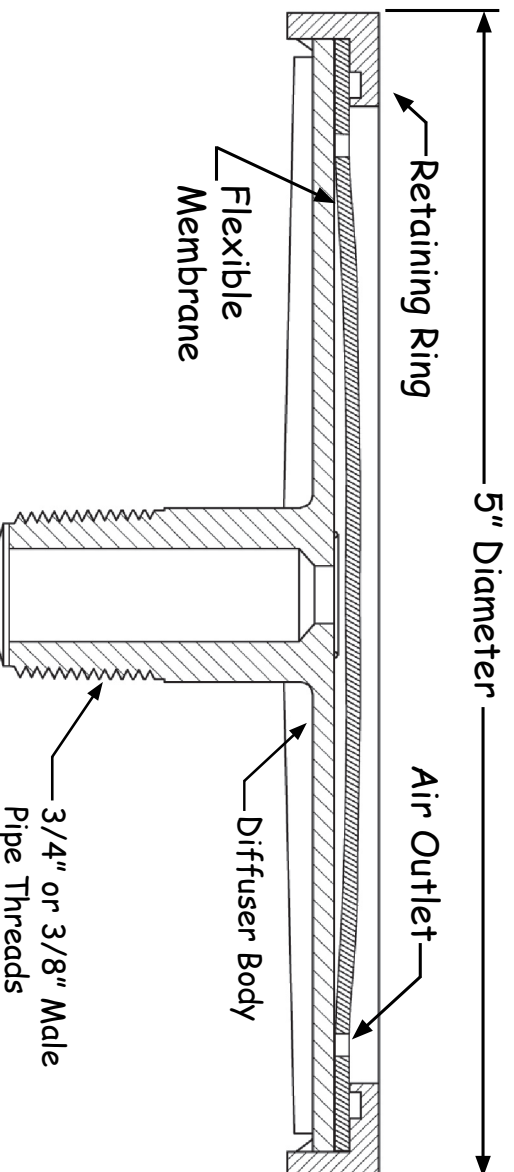
## EDI PermaCap 5™ Coarse Bubble Diffuser Unit Product Specification Sheet

EDI PermaCap 5 diffusers are effective and efficient coarse bubble membrane diffuser units. PermaCap coarse bubble units offer great value as a low cost aeration/mixing solution.

PermaCap 5 units are configured with a premium quality EPDM membranes perforated to minimize bubble coalescence. The flexible membrane is specifically designed to exclude solids and provide long-term trouble free operation. Diffuser base and retaining ring are manufactured from durable ABS.

The PermaCap 5 diffuser may be operated over a wide range of airflows and requires minimum maintenance for long-term performance. The integral check valve eliminates the intrusion of water and solids into the air piping under normal on/off operations.

PermaCap 5 units are available with either 3/8 inch diameter NPT (male) or 3/4 inch diameter NPT (male) threaded inlet to allow quick and simple installation into threaded pipe applications. Units are particularly suited for drop pipe installation in package treatment plants and channel aeration. Units are suitable for mounting on either the top or bottom of the air distribution piping.



Model	Peak Airflow		Design Airflow		Design DWP		Diffuser Diameter		Dry Weight	
	scfm	m <sup>3</sup> /hr	scfm	m <sup>3</sup> /hr	in H <sub>2</sub> O	cm H <sub>2</sub> O	in	mm	lbs	kg
PermaCap Coarse 3/4"	20	34	3-15	5-26	1.0-12.0	6.4-30.5	5	127	0.25	0.11
PermaCap Coarse 3/8"	15	26	3-10	5-17	2.0-13.5	6.4-33.0	5	127	0.25	0.11
PermaCap Medium 3/4"	12	20	2-8	3-14	2.0-12.0	5.0-30.5	5	127	0.25	0.11
PermaCap Medium 3/8"	9	15	2-6	3-10	2.0-11.2	5.0-28.4	5	127	0.25	0.11